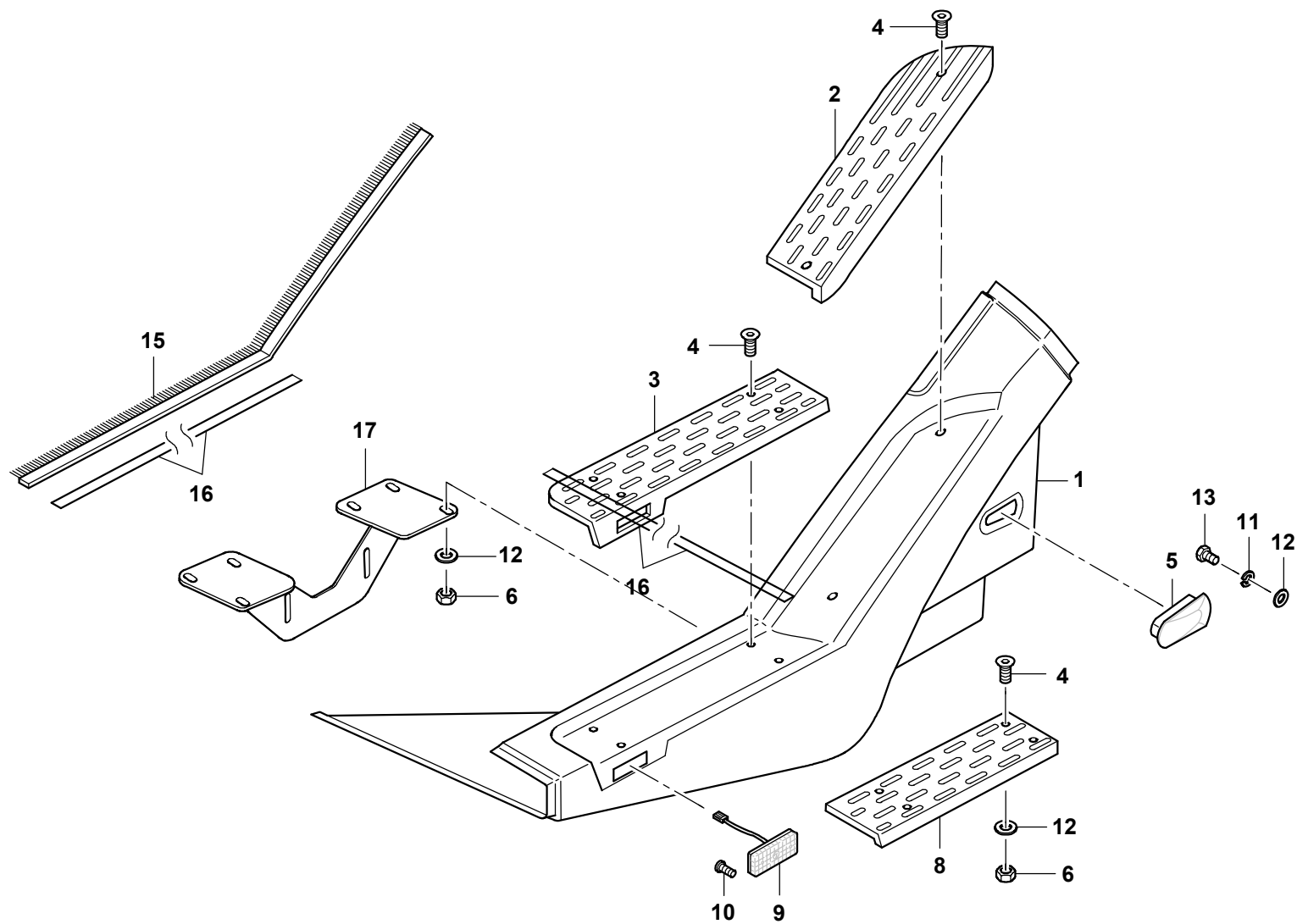


GROVEEINSTIEG ZSB. LINKS
STEP ASSY. LEFTBILDTAFEL
PICTORIAL DISPLAY**GMK 4100
BE 504**

04.14

3166213-ETL D

1/1



3166213-D-BL01-0414-0000